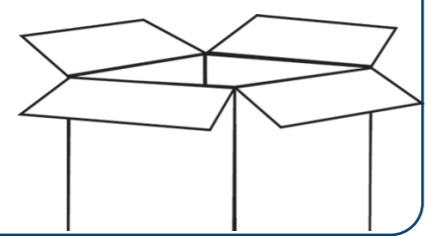


# 1 Box Contents

- Pool unit
- Home unit
- Docking Station and Plastic Cover
- Power Cord
- Accessories Pack
- Quick Start Guide



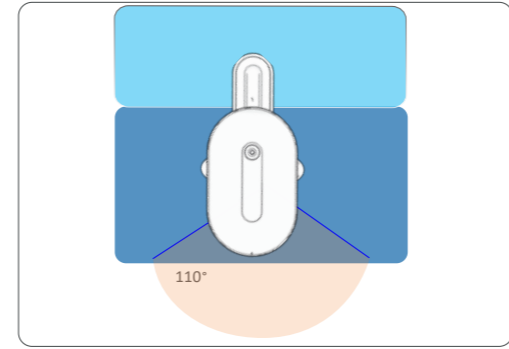
# 2 Docking Position

- See system requirements for pool size and dimensions in the MYLO website.
  - The camera line of sight must cover the entire pool area (the camera has a field of view of 110°).
  - The docking station mounting screws should be anchored.
  - The pool water level should reach at least the minimum mark on the underwater tube once it is inserted into the pool.
- For more information visit our website [www.coralsmartpool.com](http://www.coralsmartpool.com), and refer to the full user manual.

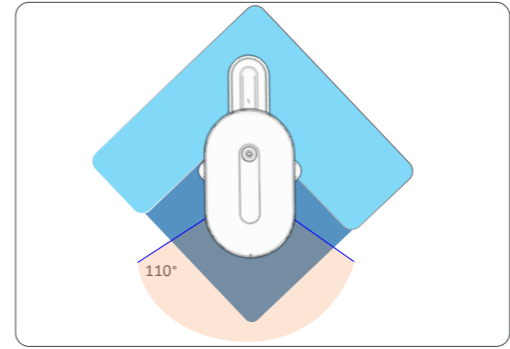
# 3 MYLO Orientation

Select one of the following mounting orientations:

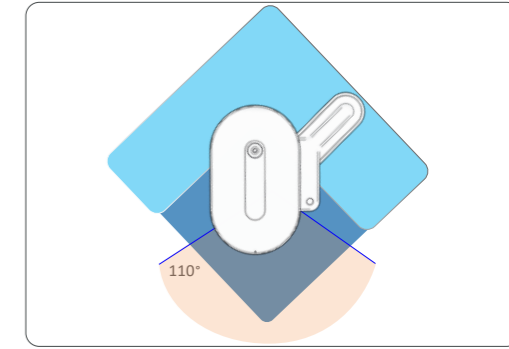
## A. Round or straight wall



## B. Corner Mounting (Straight)



## C. Corner Mounting (Rotated)



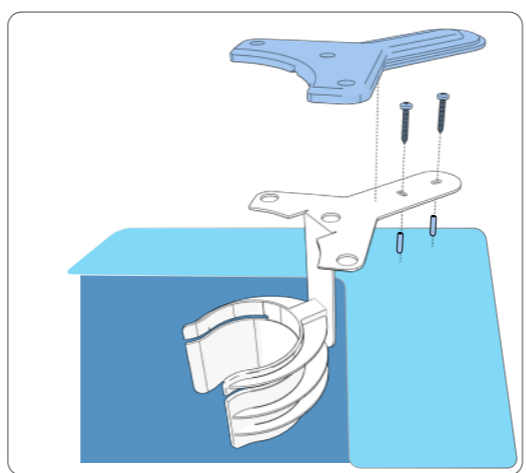
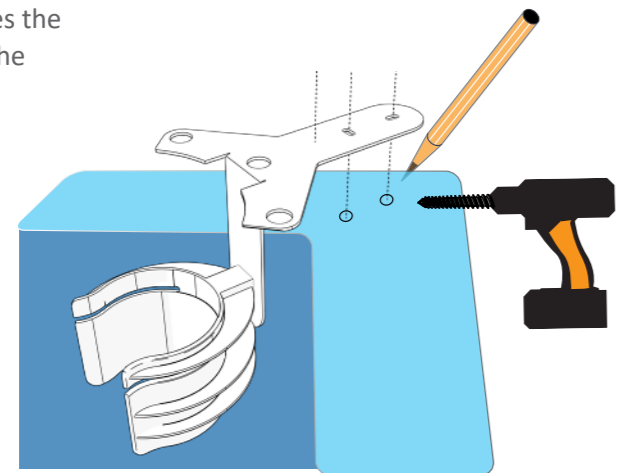
# 4 Mounting Docking Station

**A.** Verify that the metal vertical part of the docking station touches the inner wall of the pool.

**B.** Mark the location of the screws.

**C.** Drill 2x 8mm (5/16") holes.

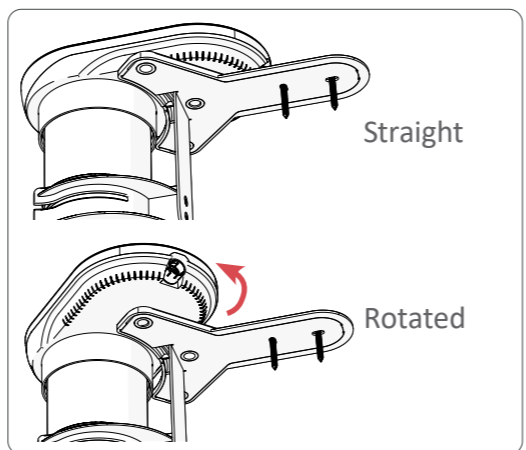
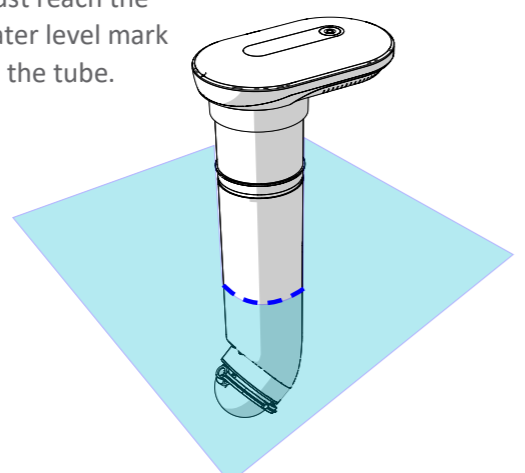
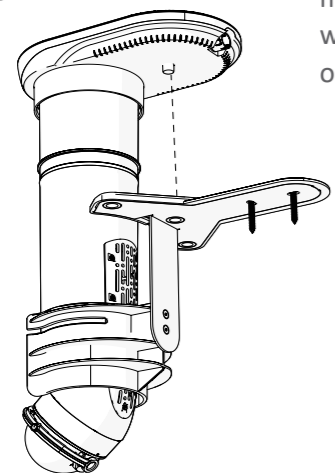
**D.** Mount the docking station using screws and anchors found in the accessories pack and attach the base plate cover.



**E.** Insert the pool unit into the docking station.

**F.** Water level must reach the water level mark on the tube.

**G.** Insert the pool unit pin according to straight or rotated docking position.

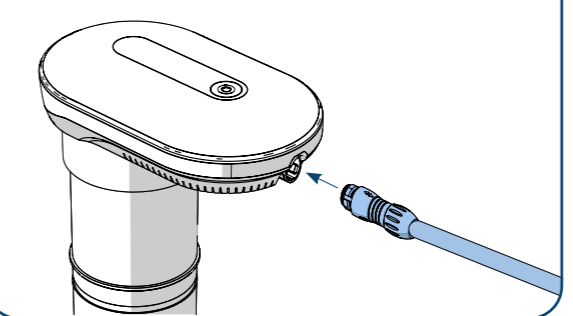


### IMPORTANT SAFETY INSTRUCTIONS

- MYLO does not replace adult supervision.
- MYLO is another layer of safety and does not replace other pool safety devices or measures required by local city/state/country laws.
- MYLO uses computer vision technology to detect drowning. Depending on various factors, some drowning events might not be detected.
- MYLO uses Wi-Fi to transfer alerts, warnings, notification, and images from the pool unit to your paired devices using secured servers in the cloud.
- Communication to the paired devices depends on the quality of the home Wi-Fi network, and could, on occasion be degraded or slower depending on signal quality.
- The Drowning Detection function is not dependant on Wi-Fi communication. The alarms and indicators in the pool unit and home unit do not depend on the Wi-Fi network quality.
- The home unit must be plugged into a power outlet inside the house, as close as possible to the pool unit. Make sure the home unit can be clearly seen and heard inside the house at all times.
- **ADULT SUPERVISION IS REQUIRED AT ALL TIMES.**

# 5 Installing MYLO

Insert the power cord into the pool unit and plug the other end into a water protected power outlet.



**Disclaimers**  
Using MYLO is subject to the acceptance of the "Terms of Use" and "Privacy Policy". | Setting up and installing MYLO indicates your acceptance of the "Terms of Use" and "Privacy Policy". | If you do NOT accept the "Terms of Use" and "Privacy Policy" please contact us to arrange a refund and return shipment. | Activating MYLO requires pairing it with a smartphone using the MYLO App (using the app is mandatory only for activating the system).

## 6 Connecting the Home Unit



Plug in the home unit to a power outlet inside the house, as close as possible to the pool unit.

## 7 Installing the Mobile App

Search, download and launch the **MYLO by Coral Smart Pool** mobile application.



Follow the app installation wizard. When instructed, scan the device QR code:

QR Code

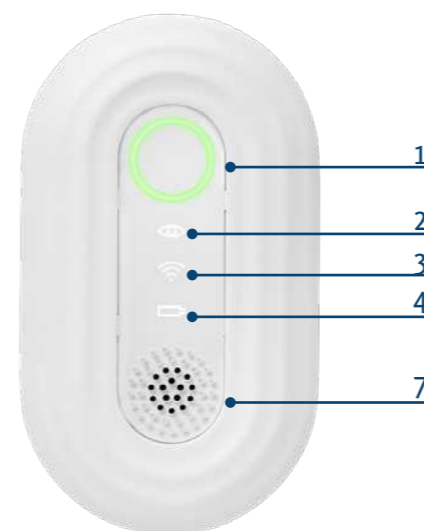


**Note:** The system will NOT work until you pair it with your phone and accept the terms.

## Controls and Indicators

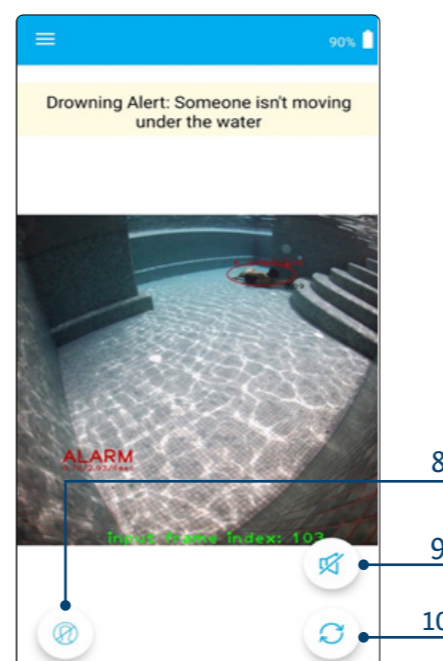
### Indicators

- 1 Pool Activity Indicator
- 2 Water Visibility Indicator
- 3 Communication Indicator
- 4 Power Indicator
- 5 Alarm Dismiss Button
- 6 Red Light Drowning Indicator
- 7 Buzzer



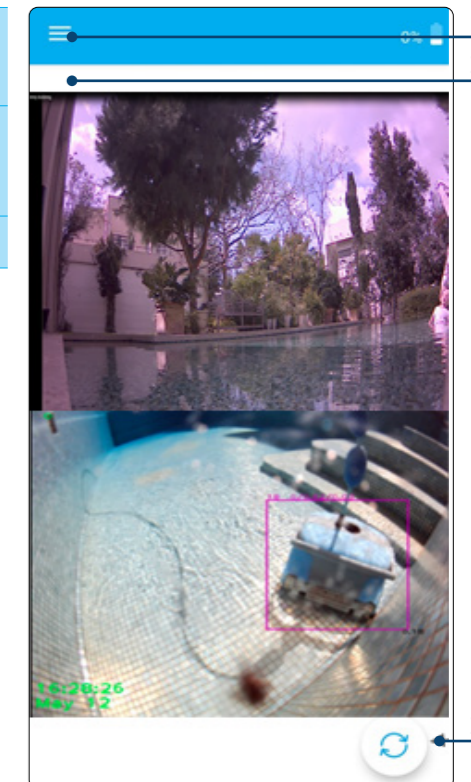
### Handling False Alarms

- 8 Tap to silence the alarm and teach the system to further ignore similar scenarios in the future.
- 9 Silent Button
- 10 Refresh Button



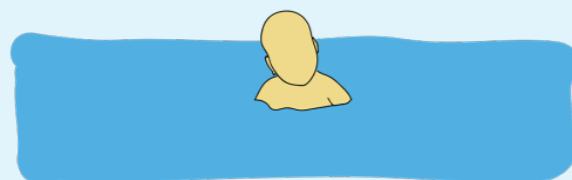
### Screen Overview

- 11 Menu Button
- 12 Refresh Button
- 13 Visibility



## Alert Scenarios

### Entrance to the Pool or Pool Area



**Indications** – Pool activity indicator (1) blinks green quickly, buzzers (7) emit a single beep, and a notification with image of the pool is sent to the mobile device. Pool activity indicator continues to blink as long as there is someone in the pool.

**Note:** When there are no people in or around the pool, the pool activity indicator blinks green slowly.

### Drowning Suspicion



**MYLO detects drowning signs for several seconds.**

**Indications**  
Pool activity indicator (1) and additional drowning indicator (6) blinks red quickly, buzzers (7) sound a repeated alarm.

**Silencing Alarms**  
The Dismiss button (5) on the pool unit and via the Silent button (9) on the mobile app.

### Drowning Alert



**MYLO detects drowning signs for an additional period of time.**

**Indications**  
Pool activity indicator (1) and additional drowning indicator (6) blinks red quickly, buzzers (7) sound a loud siren.

**Silencing Alarms**  
The Dismiss button (5) on the pool unit and via the Silent button (9) on the mobile app.

### Drowning Critical Alert



**MYLO detects drowning signs for an additional period of time.**

**Indications**  
Pool activity indicator (1) and additional drowning indicator (6) blinks red quickly, buzzers (7) sound a continuous loud siren.

**Silencing Alarms**  
The Dismiss button (5) on the pool unit and via the Silent button (9) on the mobile app.